

COBALT SPORT

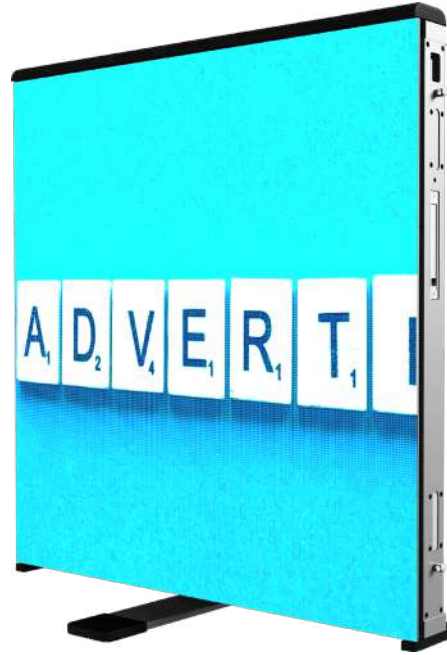
HIGH BRIGHTNESS LED PERIMETER SYSTEM





OVERVIEW

The COBALT SPORT is the latest addition to our range of LED perimeter systems. It is directly derived from our COBALT products, with additional elements to make it a LED stadium perimeter that is both reliable and durable, capable of meeting demanding projects. It is a more economical alternative to the NEIPATEC ST, although it remains a worthy option for renowned sports clubs and organizations.



APPLICATION
Outdoor



BRIGHTNESS
≤ 6000 NITS



INGRESS PROTECTION
IP66



WEIGHT
35 kg/m²



PIXEL PITCH
P6.6 P8 P10



MATERIAL
Die-casting aluminum



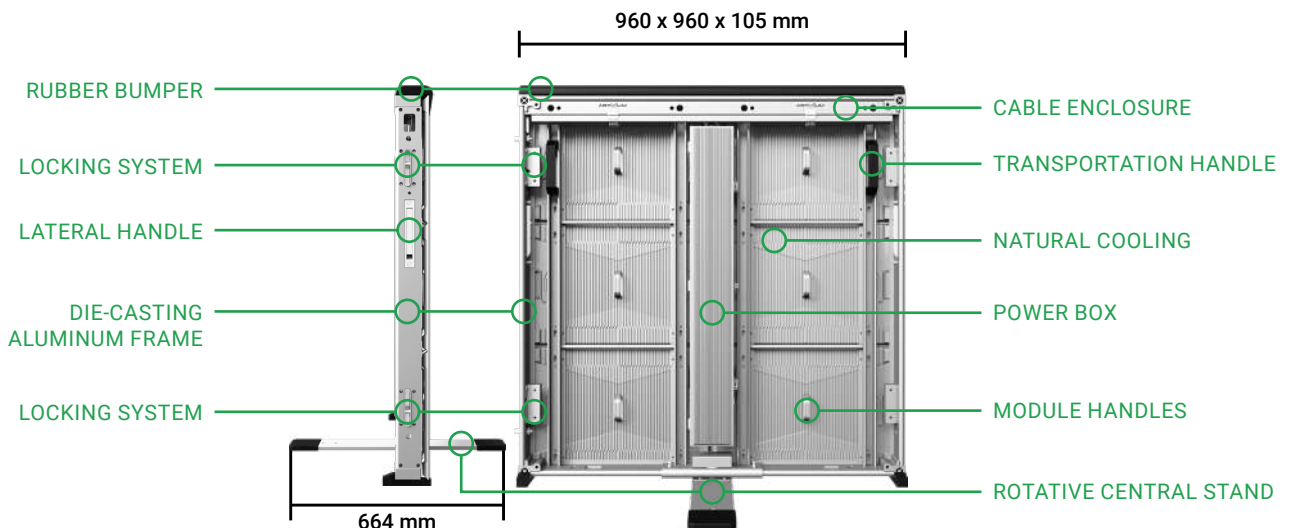
DISPLAY AREA (w x h)
960 x 960 mm



MAINTENANCE
Front & back maintenance

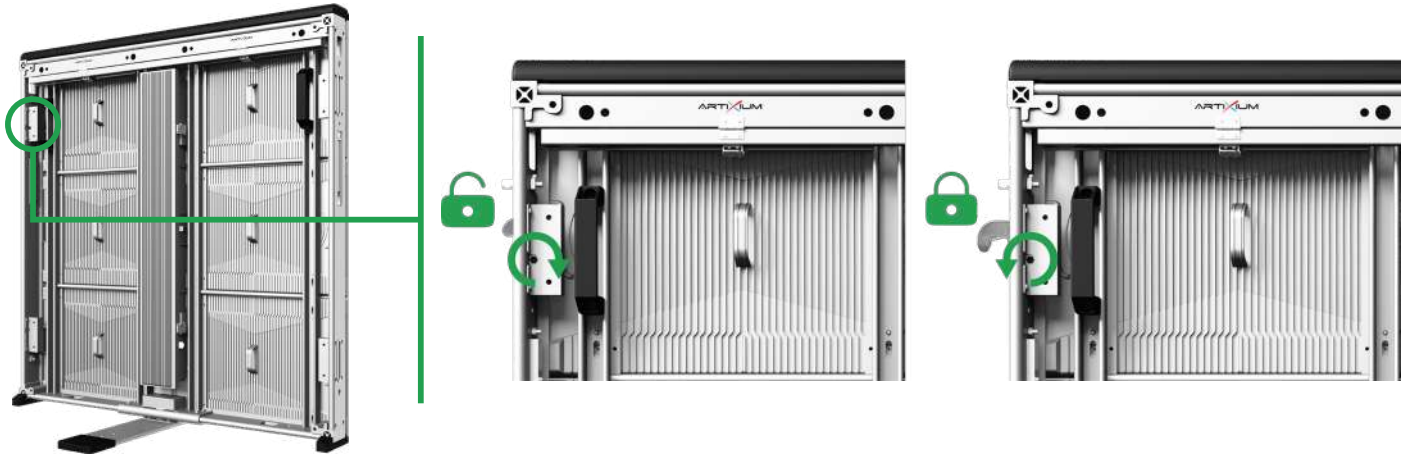


FEATURES



COBALT SPORT

LED PERIMETER SYSTEM
FRONT & BACK MAINTENANCE



COBALT TECHNOLOGY

Artixium's partners are already familiar with the COBALT, our flagship product for outdoor applications. It stands out not only for its brightness but also for the quality and durability of its LED modules, designed to provide visible visual content from a distance while withstanding heat, cold, weather conditions, etc.

The COBALT SPORT shares these same characteristics, with the addition of transport handles, side locks, a rotating central stand, and rubber bumpers. We also offer optional rubber masks inspired by the NEIPATEC ST to ensure the integrity of the modules in the event of very violent impacts.



FRONT & BACK
MAINTENANCE



FOUR HANDLES FOR
EASIER TRANSPORTATION



FRONT & BACK IP66



ROTATIVE CENTRAL STAND

Like the NEIPATEC ST, the COBALT SPORT features a rotating central stand ensuring its stability, enabling it to effectively withstand wind force and other pressures, whether they come from the front or the back. Furthermore, the cabinets, once assembled, stabilize laterally.

SMART CABLE MANAGEMENT

The power and data cables of the COBALT SPORT are easily accessible through tool-free openable enclosures. This solution ensures the integrity of your wiring while hiding it for a more aesthetic appearance.





TECHNICAL SPECIFICATIONS

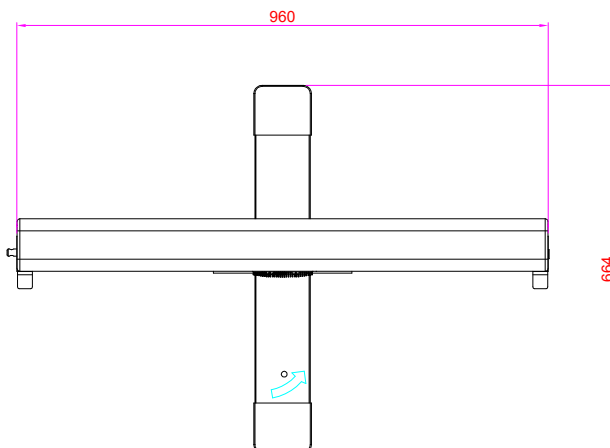
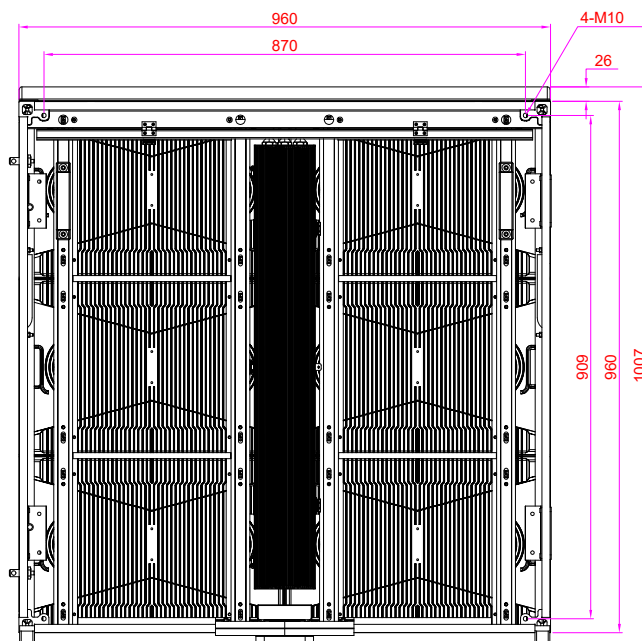
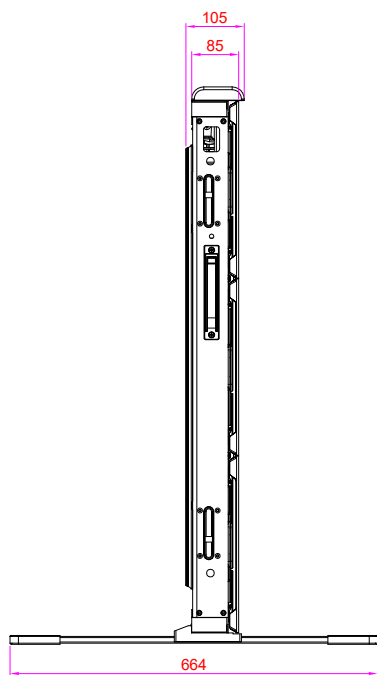
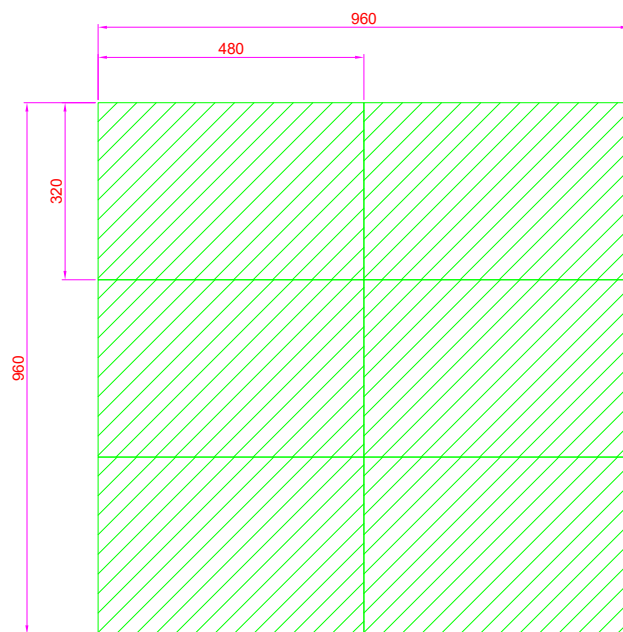
		OUTDOOR		
Product Parameters	Unit	6.6	8	10
Pixel Pitch	mm	6,67	8,00	10,00
LED		SMD2727	SMD3535	
Application		High brightness perimeter system		
Ingress Protection	IP	IP66		
Brightness	cd/m ²	≤ 6000 Nits @5volts		
Color Temperature after calib (adjustable)	deg. K	6500		
Viewing Angle (50% brightness)	deg.	180(+/-90) H		
Cabinet Size (WxHxD)	mm	960 x 960 x 101		
Display area (WxH)	mm	960 x 960		
Module Size (WxHxD)	mm	480 x 320 x 26		
Pixel Matrix Per Cabinet (WxH)	px	144 x 144	120 x 120	96 x 96
Pixel Matrix Per Module (WxH)	px	72 x 48	60 x 40	48 x 32
Pixel Density	px/m ²	22500	15625	10000
Weight	kg/m ²	35		
Cabinet Material		Die-casting aluminum		
Maintenance Mode		Front & back		
Mask specification		95% Plastic + 5% Fiber / SS screws / Shaders		
Contrast Ratio		High		
Grey scale (linear)	bit	16		
Brightness control	bit	16		
Processing depth	bit	16		
Color		281 Trillions		
Display Refresh Rate	Hz	3840		
Operation Power	V	AC85-230V		
Max. Power Consumption	W/m ²	550		
Average Power Consumption	W/m ²	200		
Control Mode		Synchronization		
Video Frame Rate	Hz	50/60Hz		
Input Types Supported		DVI / SDI / HDMI		
3D ready (optional)		Yes		
Calibration		Yes		
Lifetime (50% brightness)	h	50000		
Operating Humidity Range		10-95%		
Operating Temperature Range		- 20°C / + 60°C		
Screen Uniformity Correction		-		
Certification		EMC CLASS B / CE / ETL / CCC		
Available options		Rubber masks		
Compatibility				



Information and design in this leaflet are subject to Artixium France SAS copyright. No material from this leaflet can be used in any context without ARTIXIUM approval. Designs and specifications are subject to change without notice. All images of ARTIXIUM products components and accessories used here are also subject to change without notice. All information presented herein is based on the latest information at the time of publishing. Actual results of performance and other specifications may differ or vary with production models and may depend on selected options and model ranks.



TECHNICAL DRAWINGS





CONTACT

The Artixium regional branches are the key for the growth and development of our global network all over the world. Artixium's team is a spectrum of different nationalities and cultures, reflecting their global presence and mindset, mak-

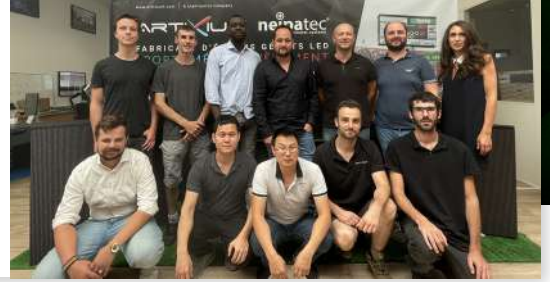
ing their communication smooth and hassle-free with clients from all around the world. Customer care, Innovation and flexibility has always been our values and we intend to keep this reputation for many years to come.

ARTIXIUM FRANCHISES

"From your project's conception to its completion."



112 Avenue Franklin Roosevelt
69120 Vaulx-en-Velin
France



Artixium Operational Center
518000 Shenzhen
China



Weissensteinstrasse 90b,
46149 Oberhausen
Germany




Merkez Mah. Baglar Cad. A
Blok Apt. No: 14D/13 Kagithane, Istanbul
Turkey




 www.artixium.com

 0 428 001 801

 [linkedin.com/company/artixium](https://www.linkedin.com/company/artixium)

 twitter.com/artixium

 contact@artixium.com

 [youtube.com/@artixium](https://www.youtube.com/@artixium)

 [facebook.com/artixium](https://www.facebook.com/artixium)

 [instagram.com/artixium](https://www.instagram.com/artixium)



Since its creation in 2012 by two european entrepreneurs, Artixium has been evolving and always looking for innovative ways to contribute to the digital transition of our world. It only took a few years for Artixium to become a key player in the LED display industry.

www.artixium.com